



# KERIS

Luminaire design: Eclatec

The **KERIS** floodlights range is the logical outcome of LED technology applied to high-power lighting.

With two basic models and a wide range of outputs and photometric distributions that address the many applications of lighting from very high posts, whether for traffic zones, car parks, working areas or sports facilities...

The two Keris models are characterised by their limited wind surface, making the sizing of their posts and supports more economical. Keris floodlights complement the range with very high posts from Eclatec, offering consistent solutions for posts, racks, walkways and fixed and mobile head frames.



INTEGRATED BLS STRIPS





KERIS 2



KERIS 3



APPLICATIONS

- U bracket, post top or suspended fastening
- Recommended heights: Keris 2: up to 15 m/Keris 3: up to 30 m
- Streets and secondary roads, car parks, sports grounds (tennis courts, handball courts etc.), industrial facilities and estates, architectural highlighting, pedestrian crossings etc.

DESCRIPTION

- Floodlight available in two sizes: Keris 2 and Keris 3
- Body in injected die-cast aluminium
- Polyester powder coating, any colour available
- IP 66
- Standard LED BLS strips with QUADRALENS lenses
- Colour temperature: 4000 K and 3000 K
- Bowl made in printed thermally toughened glass
- IK 09
- Class I or II

CITIZEN REFERENCE POINTS

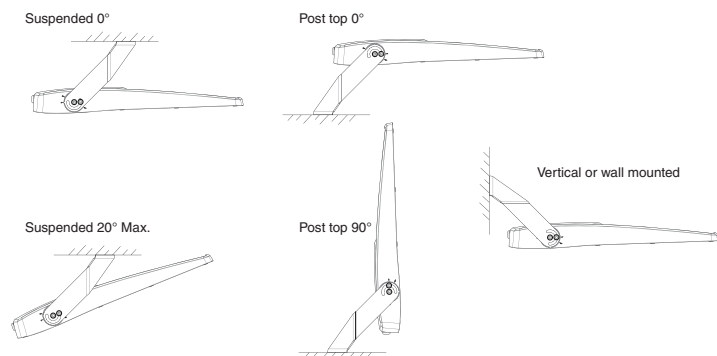
- Materials used:
  - KERIS 2: Aluminium 37 %, Steel 29 %,Glass 20 %, Other 14 %
  - KERIS 3: Aluminium 47 %, Steel 25 %,Glass 14 %, Other 14 %
- Complies with the RoHS directive
- High recyclability rate

WATERPROOFING

- IP 66 waterproofing in accordance with the standard EN 60 529
- Pneumatic silicone gasket
- Cable gland with anchoring device (two per floodlight)
- Breathing system with activated carbon filter

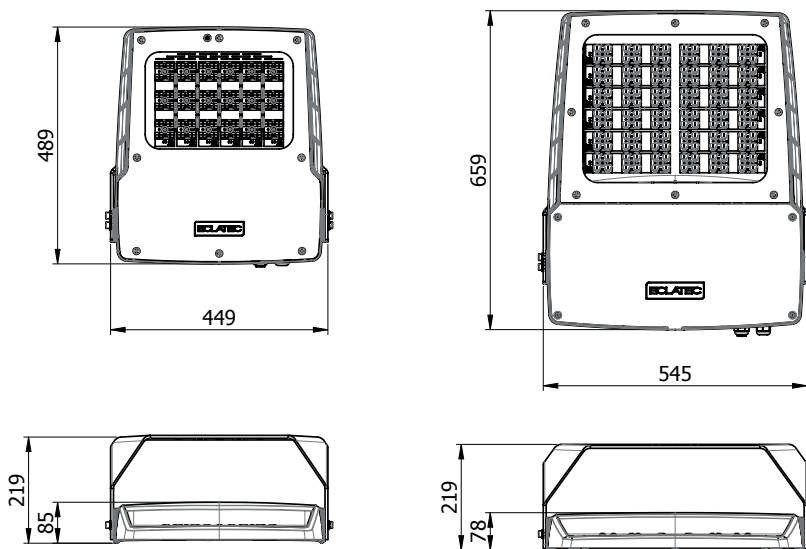
MECHANICAL INTERFACES

- U bracket, painted as an option: post top or suspended fastening
- Projector pre-tilted at 2 °
- Tilts:

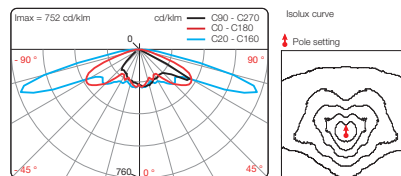


KERIS 2

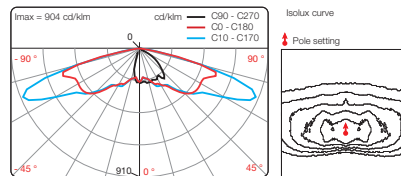
KERIS 3



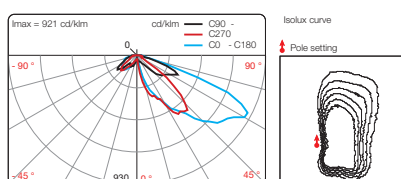
KERIS - ERL



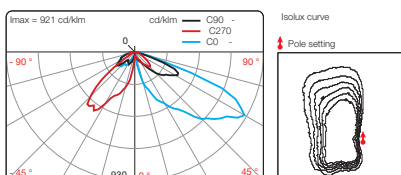
KERIS - ERS



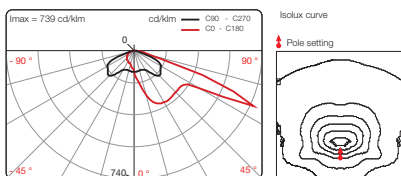
KERIS - EPD



KERIS - EPG



KERIS - PFA



KEY POINTS

		KERIS 2	KERIS 3
<b>Applications</b>		Streets and secondary roads, car parks, sports grounds (tennis courts, handball courts etc.), industrial facilities and estates, architectural highlighting, pedestrian crossings	
<b>Recommended heights</b>		up to 15 m	up to 30 m
<b>Mounting</b>		U-bracket fixation	
<b>Dimensions</b>	Length	489 mm	659 mm
	width	449 mm	545 mm
	height	85 mm	78 mm
<b>Weight</b>		11 kg	16 kg
<b>Windage area</b>		0,04 m2	0,07 m2
<b>Sources</b>		BLS Strips	
<b>Sources access</b>		Direct access to the power supply and BLS strips after removing the bowl held by 8 screws Access to power supply: by removing the bowl in Keris 2 and by removing the cover in Keris 3	
<b>Optics and light distribution options</b>		QUADRALENS <sup>(1)</sup> : ERS, ERL, ERE, ETS, LRS, LRL, PFA, ECa, Ecb, PAa, PSa, EPD, EPG	
<b>OPTIONS</b>	<b>Backlight shield<sup>(1)</sup></b> (factory or site assembly)	○	
	<b>SMART-READY<sup>®</sup> (2)</b> by Eclatec (construction)	○	
	<b>DALI</b> (construction)	○	
	<b>Dimming 5</b> (preset)	○	
	<b>CLO</b> (preset)	○	
	<b>Motion COM</b> (setting on site)	○	
	<b>Motion P</b> (set in the bottom of the pole)	○	
<b>POLEDRIVE</b> (set in the bottom of the pole)	○		

(1) Backlight shield optional except for EPD, EPG, ECa, Ecb, PSa

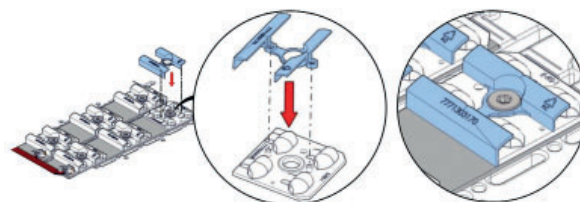
(2) Communicating system pre-configuration: wired Sensor Ready type driver and base in accordance with Zhaga consortium

Glossary:

- Standard
- Option
- Not available

E/L/P: Lighting/Luminance/Projection, R/C/T/F/P: Road/Circulation/Path/Beam/Pedestrian walkway, E/S/L/A/D/G: Narrow/Standard/Wide/Asymmetric/Right/Left, **POLEDRIVE**: preset at the bottom of the pole / night dimming calculator with 2 configurable thresholds, set in the bottom of the pole, **Dimming 5**: night dimming calculator with 5 configurable thresholds, **Motion**: moving sensor, **Motion P**: Configurable offset presence detector at the foot of the pole, **Motion DALI**: Detector integrated to the luminaire, adjustable at pole base, **Motion 5**: Motion sensor and dimming calculator, **Motion COM**: Wireless detection and communication, **DALI**: compatible with the DALI protocol, **CLO**: Constant Lumen Output option

BACKLIGHT SHIELD



Backlight shield BLS version

MAINTENANCE

**Maintenance of KERIS 2 control gear and sources**

Direct access to the power supply and BLS strips after removing the bowl held by 8 screws (safety cord)  
Removable tray

**Maintenance of KERIS 3 control gear**

Direct access to the power supplies after removing the lower cover held by four captive screws. Removable tray

**Maintenance of Keris 3 sources**

Direct access to BLS strips after removing the bowl held by 8 screws.