

BOLLARDS

LIGHTING & LIT

Bollards design: Eclatec, Jean-Baptiste DUTHILLEUL, Françoise PERSOUYRE, Jean-Michel WILMOTTE

Eight models of LED bollards now appear in the catalogue, including five recently added to reinforce the ECLATEC offering; these five latest models meet PMR* standards (source allowing average lighting greater than 20 Lux, depending on the installation):

- TREK: its geometry allows removing the head of the bollard to the outside of the path.
- TAÏGA: this bollard reuses the minimalist aesthetic principles of the poles in the TAÏGA range.
- TEAM: with its cylindrical form, TEAM has a more uniform distribution.
- ZESTO: A variant of the ZESTO luminaire, this PMR bollard accepts the module common to TAÏGA and TREK.
- PIXEL: Offers the elegance of the PIXEL line and uses the same exclusive pattern.
- FLORE: This bollard is part of the FLORE line, using its plant-inspired patterns and references
- URBINO: Its elegance is shared across the entire URBINO furniture and lighting line.

* Dedicated LED module for accessibility of disabled persons (PMR)



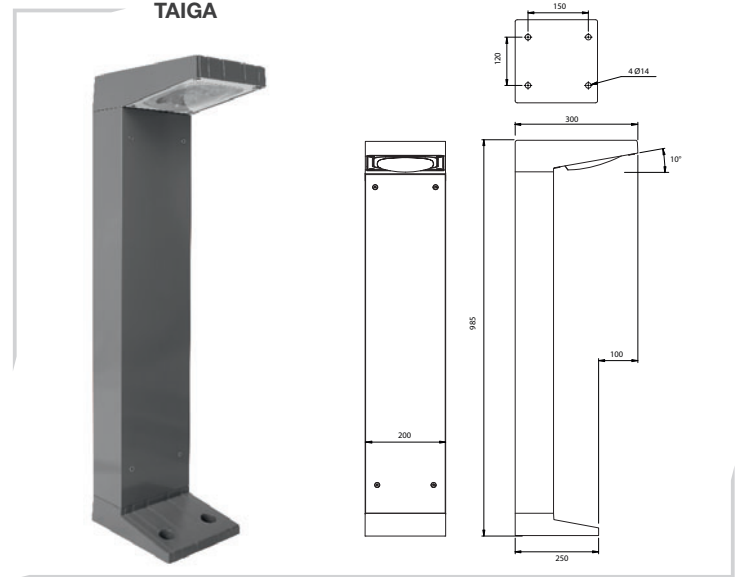
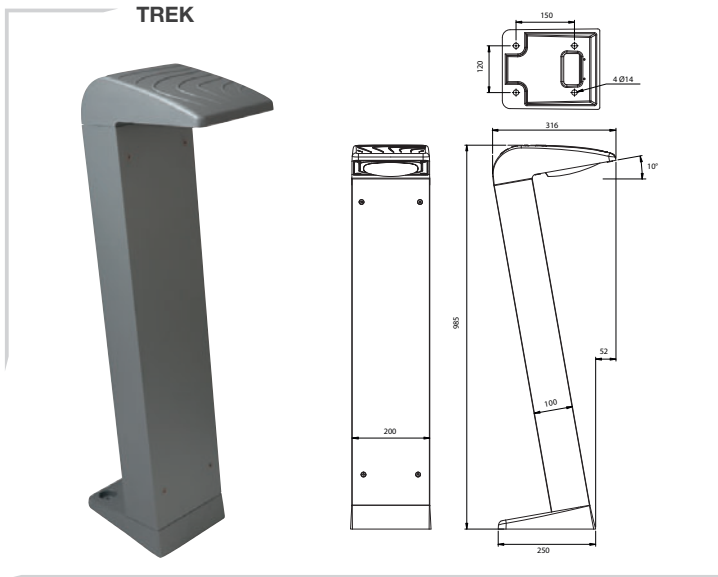
Taiga bollard



Team bollard



Teo bollard



DESCRIPTION: TREK / TAIGA

- Lighting head and module in die-cast aluminium
- Aluminium profile 200 x 100mm tube
- Polycarbonate bowl
- Polyester powder coating, any colour available
- IP 66 Module
- IK 10
- Class I or II
- Weight: 23 kg
- Standard BLS LED strips equipped with **QUADRALENS** lenses
- Colour temperatures: 2400 K, 2700 K, 3000 K and 4000 K

CITIZEN REFERENCE POINTS: TREK / TAIGA

- Materials used: Steel 56%, Aluminium 39%, Plastic 2%, Other 3%
- Complies with the RoHS directive
- High recyclability rate

INSTALLATION: TREK / TAIGA

- Cast iron base
- Internal fixing using 4 anchor rods, Ø 12 mm

MAINTENANCE: TREK / TAIGA

- Removable lighting head
- Access to the equipment after removal of the profiled tube

	TREK / TAIGA
Backlight shield⁽¹⁾ (factory or site assembly)	○
DALI (construction)	○
Dimming 5 (preset)	○
CLO (preset)	Compatible with standard version, Dimming 5 or DALI option
Motion DALI (set in the bottom of the pole)	○
POLEDRIVE (set in the bottom of the pole)	○

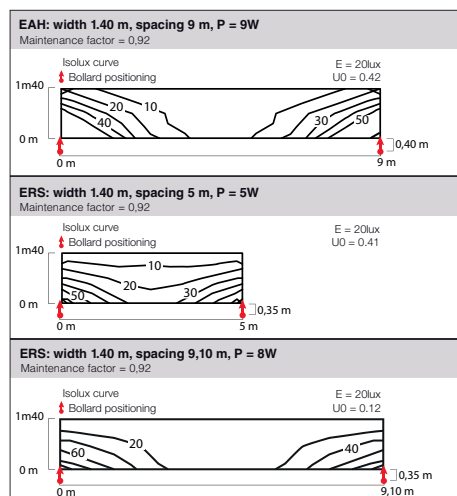
(1) Backlight shield optional except for EPD, EPG, ECA

Glossary:

● Standard ○ Option - Not available

EAH: Dedicated LED module for accessibility of disabled persons (PMR), **POLEDRIVE:** preset at the bottom of the pole / night dimming calculator with 2 configurable thresholds, set in the bottom of the pole, **Dimming 5:** night dimming calculator with 5 configurable thresholds, **Motion DALI:** Detector integrated to the luminaire, adjustable at pole base, **DALI:** compatible with the DALI protocol, **CLO:** Constant Lumen Output option

PHOTOMETRIC DISTRIBUTIONS: TREK / TAIGA



ZESTO

Design: Jean-Baptiste DUTHILLEUL



DESCRIPTION

- Lighting head and module in die-cast aluminium
- Assembly mechanically welded in galvanised steel
- Polycarbonate bowl
- Polyester powder coating, any colour available
- IP 66 Module / IK 10 / Class I or II / Weight: 19 kg
- Standard BLS LED strips equipped with **QUADRALENS** lenses
- Colour temperatures: 2400 K, 2700 K, 3000 K and 4000 K

CITIZEN REFERENCE POINTS

- Materials used: Steel 56%, Aluminium 39%, Plastic 2%, Other 3%
- Complies with the RoHS directive
- High recyclability rate

INSTALLATION

- Cast iron base
- Internal fixing using 4 anchor rods, Ø 12 mm

MAINTENANCE

- Removable lighting head
- Access to mains power cabinet after opening the door screw

	ZESTO
Backlight shield⁽¹⁾ (factory or site assembly)	○
DALI (construction)	○
Dimming 5 (preset)	○
CLO (preset)	Compatible with standard version, Dimming 5 or DALI option
POLEDRIVE (set in the bottom of the bollard)	○*

(1) Backlight shield optional except for EPD, EPG, ECa *Only available in class II

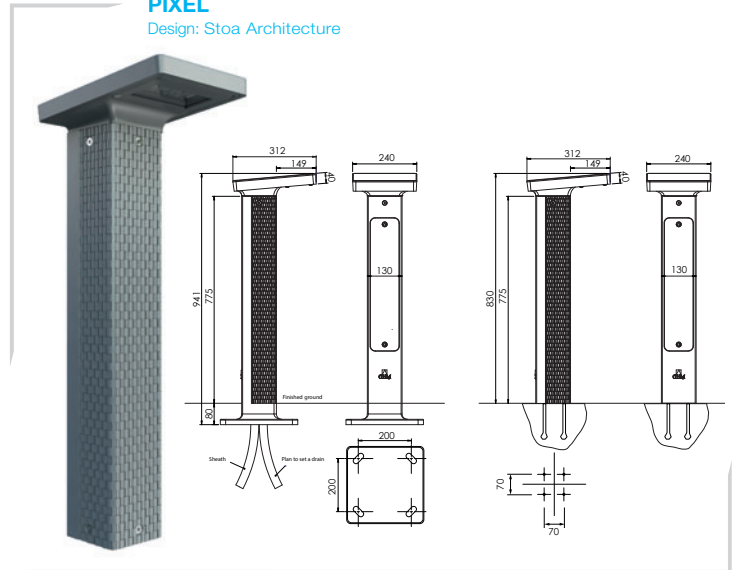
Glossary:

- Standard ○ Option - Not available

EAH: Dedicated LED module for accessibility of disabled persons (PMR), **POLEDRIVE:** preset at the bottom of the pole / night dimming calculator with 2 configurable thresholds, set in the bottom of the pole, **Dimming 5:** night dimming calculator with 5 configurable thresholds, **DALI:** compatible with the DALI protocol, **CLO:** Constant Lumen Output option

PIXEL

Design: Stoa Architecture



DESCRIPTION

- Lighting head and module in die-cast aluminium
- Metalized cast iron bollard
- Glass Bowl
- Polyester powder coating, any colour available
- IP 66 Module / IK 10 / Class I or II
- Standard BLS LED strips equipped with **QUADRALENS** lenses
- Colour temperatures: 4000 K and 3000K

INSTALLATION

- Cast iron base plate with center distance 200 x 200mm, or center distance 70 x 70mm with chemical compound

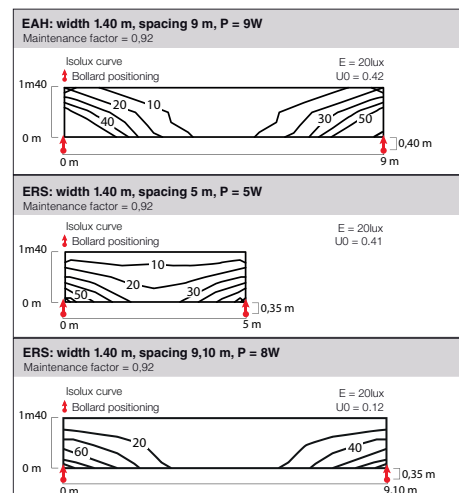
	PIXEL
POLEDRIVE (set in the bottom of the bollard)	○
DALI (construction)	○
Dimming 5 (preset)	○
CLO (preset)	Compatible with standard version, Dimming 5 or DALI option

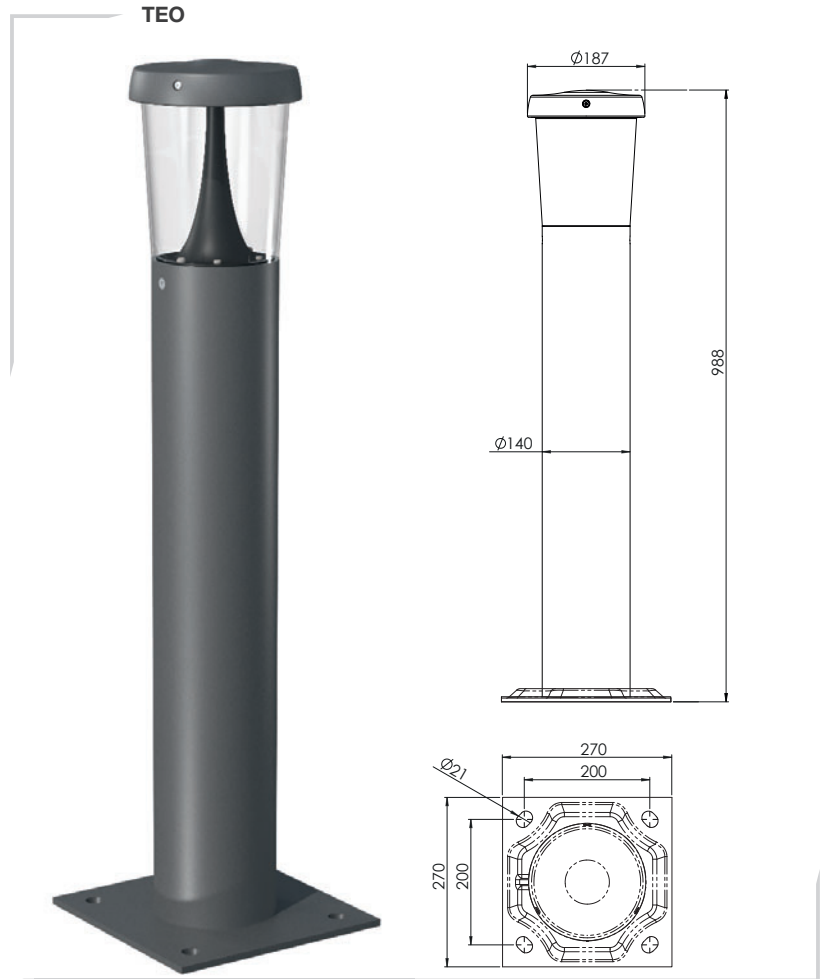
Glossary:

- Standard ○ Option - Not available

EAH: Dedicated LED module for accessibility of disabled persons (PMR), **POLEDRIVE:** preset at the bottom of the pole / night dimming calculator with 2 configurable thresholds, set in the bottom of the pole, **Dimming 5:** night dimming calculator with 5 configurable thresholds, **DALI:** compatible with the DALI protocol, **CLO:** Constant Lumen Output option

PHOTOMETRIC DISTRIBUTIONS: ZESTO / PIXEL





DESCRIPTION

- Lighting head in die-cast aluminium
- Assembly mechanically welded in galvanised steel
- Polyester powder coating, any colour available
- IP 66 Module
- Standard BLS LED strips equipped with **QUADRELENS** lenses (EAH, ERS, ECL)
- Colour temperatures: 2400 K, 2700 K, 3000 K and 4000 K
- Polycarbonate bowl ; IK 10
- Class I or II
- Weight: 19 kg

CITIZEN REFERENCE POINTS

- Materials used: Steel 87%, Aluminium 4%, Plastic 7%, Other 2%
- Complies with the RoHS directive
- High recyclability rate

INSTALLATION

- Cast iron base
- Internal fixing using 4 anchor rods, Φ 18 mm

MAINTENANCE

- Removable lighting head
- Delivered pre-wired
- Optional leak tight connector

	TEO
Backlight shield⁽¹⁾ (factory or site assembly)	○
DALI (construction)	○
Dimming 5 (preset)	○
CLO (preset)	Compatible with standard version, Dimming 5 or DALI option
POLEDRIVE (set in the bottom of the bollard)	○

(1) Backlight shield optional except for EPD, EPG, ECA

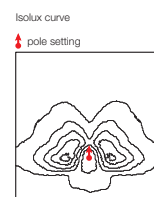
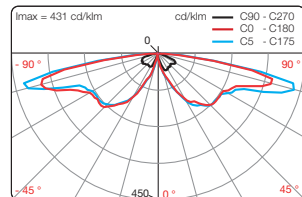
Glossary:

● Standard ○ Option - Not available

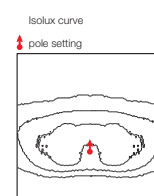
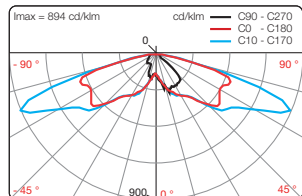
EAH: Dedicated LED module for accessibility of disabled persons (PMR), **POLEDRIVE:** preset at the bottom of the pole / night dimming calculator with 2 configurable thresholds, set in the bottom of the pole, **Dimming 5:** night dimming calculator with 5 configurable thresholds, **DALI:** compatible with the DALI protocol, **CLO:** Constant Lumen Output option

PHOTOMETRIC DISTRIBUTIONS

TEO - EAH



TEO - ERS





Zesto bollard



Pixel bollard



Trek bollard



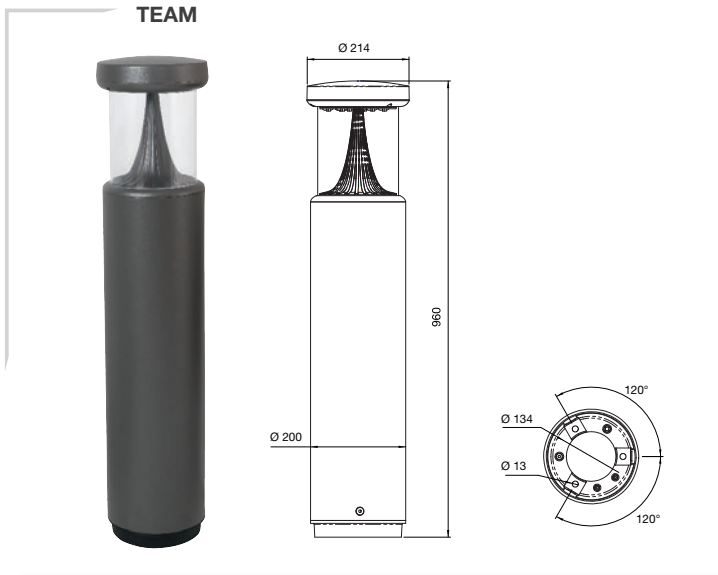
Cadix bollard



Flore bollard



Urbino bollard



DESCRIPTION

- Aluminium profile 200 mm tube
- Die-cast aluminium cap, polycarbonate bowl
- Polyester powder coating finish, choice of colours
- IP 66 Module / IK 10 - 60 joules / Class I or II
- Weight: 14,2 kg
- **ORALENS** mono lenses, ECL and EAH distribution
- Specific LED source
- Colour temperatures: 4000K and 3000K

CITIZEN REFERENCE POINTS

- Materials used: Aluminium 60%, Steel 28%, Plastic 7%, Other 5%
- Complies with the RoHS directive
- High recyclability rate

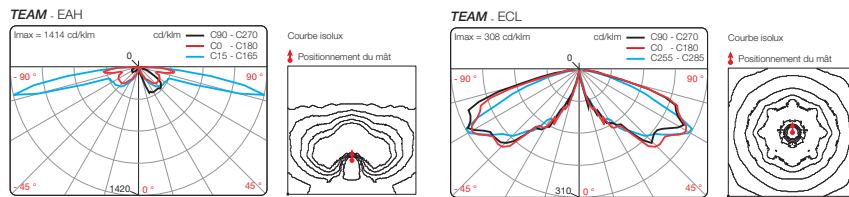
INSTALLATION

- Cast iron base
- Internal fixing using 3 anchor rods, Ø 12 mm on Ø 134 mm

MAINTENANCE

- Access to the LED module and equipment by removal of the profiled tube

PHOTOMETRIC DISTRIBUTIONS



DESCRIPTION

- Lit bollard
- Tube in aluminium profile, Ø 200mm
- Die cast aluminium cap
- Polyester powder coating, any colour available
- Silicone gasket
- IK 07
- Class I or II
- Aluminium cooling system
- Control gear integrated on a removable tray
- **KIDLED** modules with **ORALENS** mono lense
- IP 66 module
- Colour temperature: 4000 K
- Total power consumption: 13 W

INSTALLATION

- Cast iron bottom
- Internal fixation with 3 anchor bolts, Ø 12 mm sur Ø 134 mm

TEAM

DALI (construction)	○
Dimming 5 (preset)	○
CLO (preset)	Compatible with standard version, Dimming 5 or DALI option
Motion P (set in the bottom of the pole)	
POLEDRIVE (set in the bottom of the pole)	○

Glossary:

● Standard ○ Option - Not available

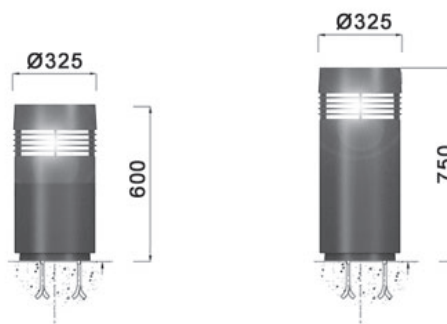
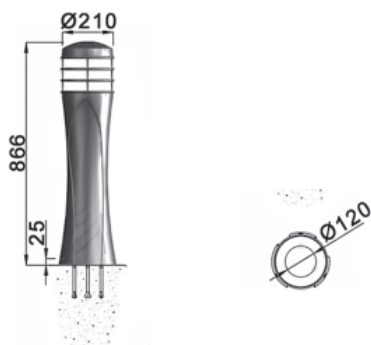
EAH: Dedicated LED module for accessibility of disabled persons (PMF), **POLEDRIVE:** preset at the bottom of the pole / night dimming calculator with 2 configurable thresholds, set in the bottom of the pole, **Dimming 5:** night dimming calculator with 5 configurable thresholds, **DALI:** compatible with the DALI protocol, **CLO:** Constant Lumen Output option

FLORE LED

Design: Françoise PERSOUYRE

**URBINO LED**

Design: Jean-Michel WILMOTTE

**DESCRIPTION**

- Cast iron lighting bollard
- Height: 866 mm
- Top diameter: 210 mm
- Bottom diameter: 225 mm
- Class I, Class II on request
- IP 66 module
- Colour temperature: 4000 K
- Total power consumption: 46 W

INSTALLATION

- 3 anchor bolts Ø 10mm x 150mm x Ø 120mm

DESCRIPTION

- Cast iron lighting bollard
- PMMA diffuser
- Height: 600 or 750 mm
- Diameter: 325 mm
- Class I, Class II on request
- IP 66 module
- Colour temperature: 4000 K
- Total power consumption: 10 W

INSTALLATION

- 3 anchor bolts Ø 14 mm x 150mm x Ø 190mm



ECLATEC

led verlichting

banken

afvalbakken

custom made producten

houten lichtmasten

stalen lichtmasten

solar verlichting

lichtzuilen

bandstand

boomroosters

plantenbakken

fietsrekken

klassieke lichtmasten

openbare verlichting

terrein verlichting

afzetzpalen

standbeelden

kunst

bollards

fonteinen

Auteursrechten en intellectuele eigendomsrechten

Het auteursrecht op deze brochure berust bij GHM Eclatec B.V. of bij derden (GHM SA en Eclatec SAS) welke met toestemming dit (beeld) materiaal beschikbaar hebben gesteld aan GHM Eclatec B.V. Vermenigvuldiging in wat voor vorm dan ook is alleen toegestaan na voorafgaande toestemming door GHM Eclatec B.V.

Copyright © 2019 GHM Eclatec BV.

Foto credits: ©Eclatec, ©Fotolia, ©Shutterstock, ©GHM

Alle rechten voorbehouden

GHM Eclatec BV Tinstraat 91 2984 AN Ridderkerk 0031 (180) 745043
info@ghm-eclatec.nl www.ghm-eclatec.nl KVK Rotterdam 53536991

Onderdeel van Agora Technologies